



Insulated Structures

Efficiency At Work

COLD FOOD BAR ISLAND



Standard Specifications	
• Salad Bowls	• 2 x Probes (Air Off & Defrost)
• Lids	• Electronic Display
• Ticket Rails	• Canopy LED Lights
• Shaded Pole Fans	• Valves (Brass Thermostatic)

Optional Specifications
• Self-Contained Units

Leaders in world class innovation for bespoke end to end energy efficient refrigeration solutions

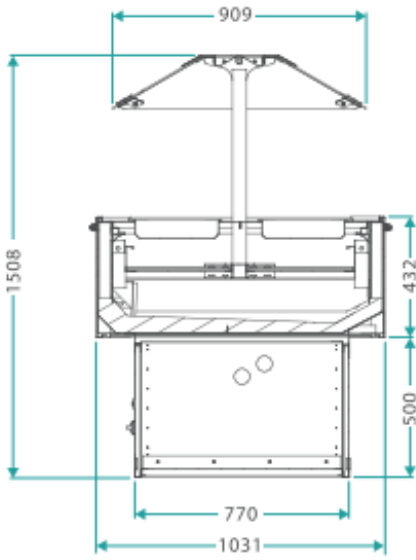




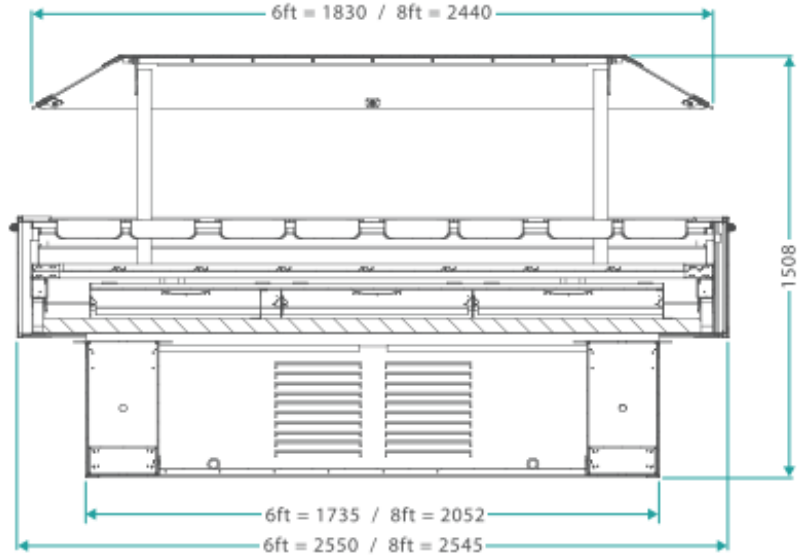
Insulated Structures

Efficiency At Work

COLD FOOD BAR ISLAND



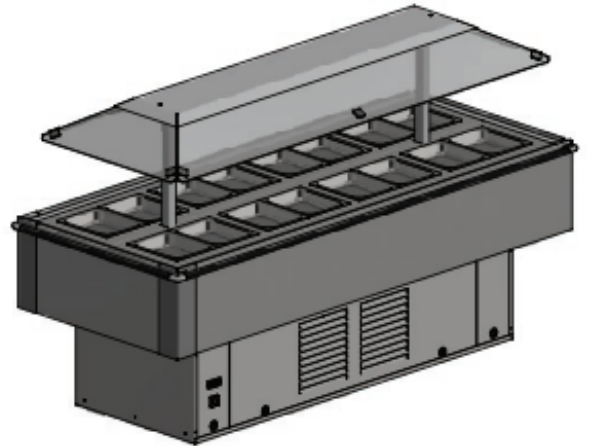
SIDE SECTION VIEW



FRONT SECTION VIEW



PLAN VIEW



Physical Properties		Drain, Electrical and Refrigeration Points							
Size	TDA (m ²)	D1	D2	D3	D4	E1	E2	R1	R2
6ft	0.77	210mm	380mm	210mm	380mm	400mm	150mm	540mm	570mm
8ft	0.98	210mm	380mm	210mm	380mm	400mm	150mm	540mm	570mm

Refrigeration Requirements		Electrical Specifications				
Refrigeration	Evaporation Temp	Size	Condensing Units	Heaters (Boil Off Pan)	Evaporator Fans Fan Blade + Motor	Lighting (LED) Canopy
220W/ft	-4 °C	6ft	HQHD-16KAR-870W	1500W	2x154-28°/36W (SPM)	2x10W = 20W
		8ft	HQHD-16KAR-870W	1500W	3x154-28°/36W (SPM)	2x17W = 34W

Leaders in world class innovation for bespoke end to end energy efficient refrigeration solutions



Insulated Structures
Efficiency At Work